

Installation Sheet (Wiegand Interface)

Sentinel-Prox MR-1824 and MR-1824-MC Readers



Reader Description

The Sentinel-Prox MR-1824 Reader is a medium-range radio-frequency proximity reader for Gate Control and Access Control Systems. The Reader consists of a transmit/receive antenna and reader electronics in a polycarbonate housing. The reader electronics are potted with epoxy resin to protect against the environment. **MR-1824** may be mounted on any non-metallic surface. **MR-1824-MC** is a metal-compensated version of this reader for mounting on or near a metal surface. See page 4 for procedure on installing MR-1824-MC.

Parts List

(a) Installation sheet.....	1	(d) Plastic anchor, P/N 004-30-B	4
(b) Sentinel-Prox MR-1824 or MR-1824-MC Reader, P/N 004-20-A	1	(e) Screw-hole plug, P/N 004-27-A (1 spare).....	5
(c) #6-20 x 1.375" self-tapping screw, P/N 004-30-A ..	4	(f) Cable slot plug, P/N 004-27-B	2
		(g) Ferrite clamp, P/N FC.....	1

Installation Procedure

1. Position the reader (item b in the Parts List) at the desired location. Observe ADA height requirements. Drill four holes for the screws or anchors, and drill one clearance hole for the cable (see Figure 1). The installer determines the size of mounting holes and cable clearance hole.
2. Clip off the white 10-pin in-line connector from the end of the reader's cable. Keep the wires as long as possible.
3. Connect the reader's cable to the controller panel as shown in Figure 2. Both the **brown** wire and the **blue** wire are used for LED control. Connect the **yellow** wire only if used for Beeper control by the panel. **Do not connect the orange and violet wires to anything. Tape or cap the unused wires singly.**
4. Use a **linear regulated** DC power supply, between 5 volts (current capacity at least 500 mA) and 12.0 volts **maximum** (at least 1 ampere). **Do not power the MR-1824 from the panel's internal power supply** – use an external DC power supply. **Tie the ground side of all DC circuits together** – including the reader, the panel's reader input port, the external power supply, and the door or gate release.
5. Install the ferrite clamp (Parts List item g) on the +DC power, DC ground, and drain wires. See instructions on page 3.
6. To install the reader's cable through the wall directly behind the reader, insert both cable slot plugs (item f in the Parts List) in the sides of the reader's top cover. To run the cable exiting from the side of the reader, press-fit the cable into the curved channel and guide the cable out of the desired side of the reader. Then insert the cable slot plug in the other side of the top cover.
7. Install the reader on the mounting surface, using screws (item c) and anchors (item d) as necessary.
8. Apply power to the reader. The LED is steady amber. (The beeper does not sound.)
9. Present a valid AWID proximity credential (card, keytag or wafer) briefly to the reader. The beeper sounds a *Long-Short-Long* beep sequence. In Standby and Access Granted modes, LED colors are controlled only by the host system (not by the reader). The reader is now initialized and can read cards. Credentials must be AWID's products.
10. When installation is complete and the reader has been tested, insert screw-hole plugs (item e in the Parts List) into the screw clearance holes to conceal the screw heads. Note: Screw-hole plugs are for one-time use. After they are seated, they cannot be removed without damaging the plugs.

Product Specifications

Material of the Mounting Surface

- MR-1824..... *Non-metallic* material only (Keep the reader at least 3 inches from all metal.)
- MR-1824-MC..... Any material including metal (The rated read range is *less* than the MR-1824.)

Cable to Controller

- 6 or 7 conductors (not twisted pairs), stranded, 18 AWG, color-coded insulation, overall 100% shielded
Note: (a) Wire may be 22 gauge for data and control lines, if DC power is run in a separate 18 gauge cable.
(b) The number of conductors depends upon use of the optional Beeper feature. See Figure 2.
- Length for Wiegand Interface..... Up to 500 feet

Read Range (Typical)	<u>MR-1824</u>	<u>MR-1824-MC</u>
• At 5 VDC.....	About 12 inches (30 cm)	About 8 inches (20 cm)
• At 12 VDC.....	18 to 24 inches (45 to 60 cm)	Up to 16 inches (40 cm)

Characteristics

- Indoor and Outdoor Rated for outdoor installations
- Operating Temperature..... -35° C to 65° C (-31° F to 150° F)
- Operating Humidity 0 to 95% non-condensing

Operating Parameters

- Excitation Frequency..... 125 kHz
- Wiegand Output..... 26 bits to 50 bits (as programmed in the cards or tags)

Certifications..... FCC Part 15; Industry Canada; UL listed; CE

Notes

1. For suggestions on best performance, read the attached memo “MR-1824 – Achieving Maximum Read Range”.
2. When the yellow wire is not used, the beeper remains active and under the reader’s internal control.
3. LED and Beeper lines are logic levels. *Never* apply power to them. They may be pulled to a low level (0 to 1.2 VDC) to enable their function, and left floating at a high level (3.6 to 5.0 VDC) when not used.
4. MR-1824 and MR-1824-MC readers have both Wiegand-protocol and RS-232 interfaces. For information on RS-232, contact AWID’s Technical Support.
5. For additional information, please visit AWID’s Web site www.awid.com. For technical support questions visit www.awid.com/support or call **1-800-369-5533** (in the U.S.) or **+1-408-825-1100**, 8:00 a.m. to 5:00 p.m. Pacific Time.
6. FCC Compliance: This equipment has been tested and found to be in compliance with the limits for FCC part 15, Class A digital device. These limits are designed to provide reasonable protection against harmful interference when the equipment is operated in a commercial environment. This equipment generates, uses and can radiate radio frequency energy and, if not installed and used in accordance with instruction manual, may cause harmful interference with radio communications. Operation of this equipment in a residential area is likely to cause harmful interference in which case the user will be required to correct the interference at his own expense.
The users are prohibited from making any change or modification to this product. Any modification to this product shall void the user’s authority to operate under FCC Part 15 Subpart A Section 15.21 regulations. This device complies with Part 15 of the FCC Rules. Operation is subject to the following two conditions: (1) This device may not cause harmful interference, and (2) this device must accept any interference received, including interference that may cause undesired operation.
7. Industry Canada Compliance: Operation is subject to the following two conditions: (1) This device may not cause harmful interference, and (2) this device must accept any interference, including interference that may cause undesired operation of the device.

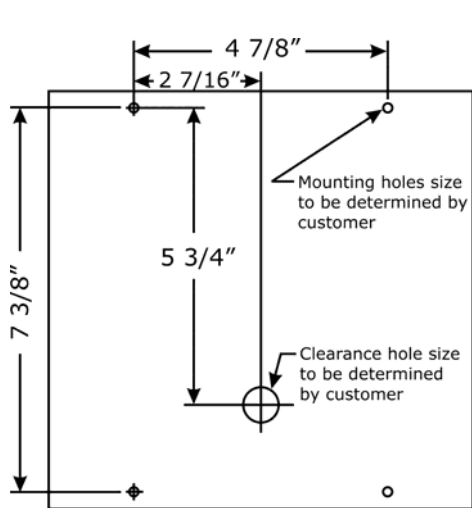


FIGURE 1. Holes Location

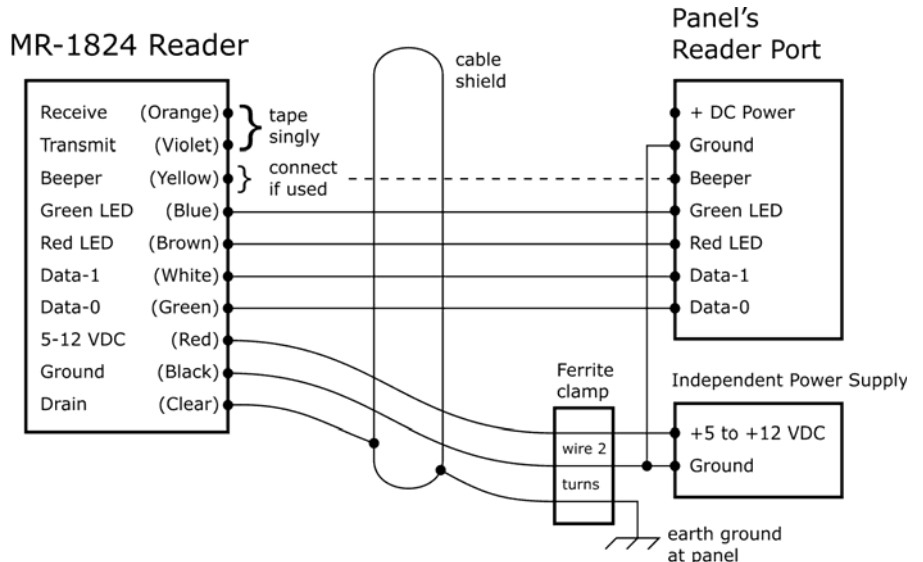


FIGURE 2. Wiring Diagram (Wiegand)

Instructions

Installing Ferrite Clamp on Power Supply Cable

To meet the requirements of the FCC, AWID supplies a “ferrite clamp” for installation on the power supply wiring. The clamp can be installed by hand, easily and quickly, at the site, without removing the reader or its wiring. This procedure may be used on a power supply that was installed earlier, or on one being newly installed.

Three wires must pass through the ferrite’s channel when it is snapped closed – (a) the positive DC, (b) the DC ground, and (c) the drain wire from the reader and the cable’s shield to earth-ground.

1. Locate the low-voltage DC power supply and the wires that connect it to the MR-1824 reader or the MR-1824-MC reader.
2. Arrange for enough excess wire length so that the wires can loop through the ferrite clamp with two turns of the wires inside the channel of the clamp.
3. Hold the open clamp (Figure 3) at a place where the three wires are accessible.
4. Loop the wires twice around the channel in the ferrite. Pull the wire loop *tightly* around the ferrite clamp.
5. Press the ferrite clamp around the wires until the latch at one end of the clamp snaps over the ears on the other end of the clamp. (See Figure 4.)

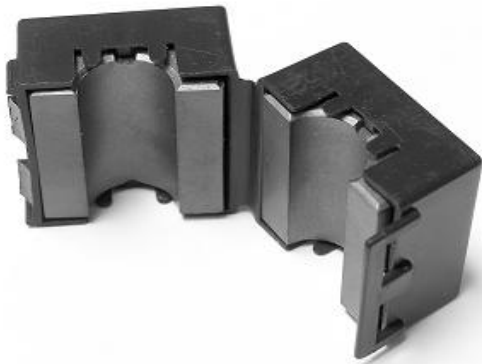


FIGURE 3. Ferrite clamp (open)

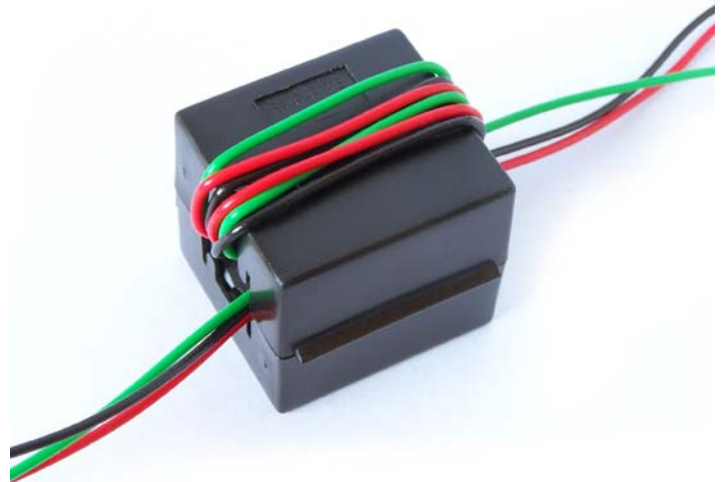


FIGURE 4. Ferrite clamp locked on 3 wires

Note: If it is necessary to remove the ferrite clamp from the wires, insert a fingernail under the latch and lift it off the ears. The clamp will then swing open.

Instructions

Installing MR-1824-MC

Notes for MR-1824-MC

- Use **MR-1824-MC**, the metal-compensated version of the MR-1824 reader, when mounting the reader on a metal surface. Nearby metal will cause the magnetic field around the MR-1824 reader to become smaller. The MR-1824-MC reader will sustain the field, but at a reduced strength.
- Follow the steps below in place of steps 1 to 4 on page 1 of the Installation Sheet for the MR-1824.

Installation Procedure

1. To mount the **MR-1824-MC** reader on the metal surface:
 - a. Remove the 4 screws through the front of the reader's plastic housing. This reveals the reader body with 4 mounting holes, aligned to the center holes of the 4 ferrite tiles.
 - b. Use the ferrite tiles as templates for mounting holes on the metal surface. These holes are at the center of each 4" X 4" tile. The center of the hole is 2" from each edge.
 - c. If necessary, enlarge the hole in the ferrite tiles slightly by drilling or reaming.
 - d. Screw the reader's plastic base and the ferrite tiles to the wall by inserting the 4 screws (item c in the Parts List on page 1) first through the inside of the plastic base, then through the holes in the ferrite tiles, then into the mounting holes in the wall.
 - e. Re-attach the reader's plastic cover using the screws that were removed in step 1.a.
2. Clip off the white 10-pin connector from the end of the reader's cable. Keep the wires as long as possible.
3. Connect the reader's cable to the controller panel as shown in Figure 2 on page 2.
 - a. Connect the **yellow** wire only if used for Beeper control by the panel
 - b. Connect the **blue** wire only if used for Hold control by the panel.
 - c. **Do not connect** the orange and violet wires to anything.
 - d. **Tape or cap all unused wires singly.**
4. Use a **linear regulated** DC power supply, between 5 volts (170 mA peak) and 12.0 volts **maximum** (350 mA peak).
 - a. **Do not power** the MR-1824-MC from the panel's internal power supply – use an external DC power supply.
 - b. For guaranteed performance, a power module P/N PS12-1A is available from AWID.
 - c. **Tie the ground side of all DC circuits together** – including the reader, the panel's reader input port, the external DC power supply, and the door or gate release.

Continue with "Installation Procedure" at step 5 on page 1.